



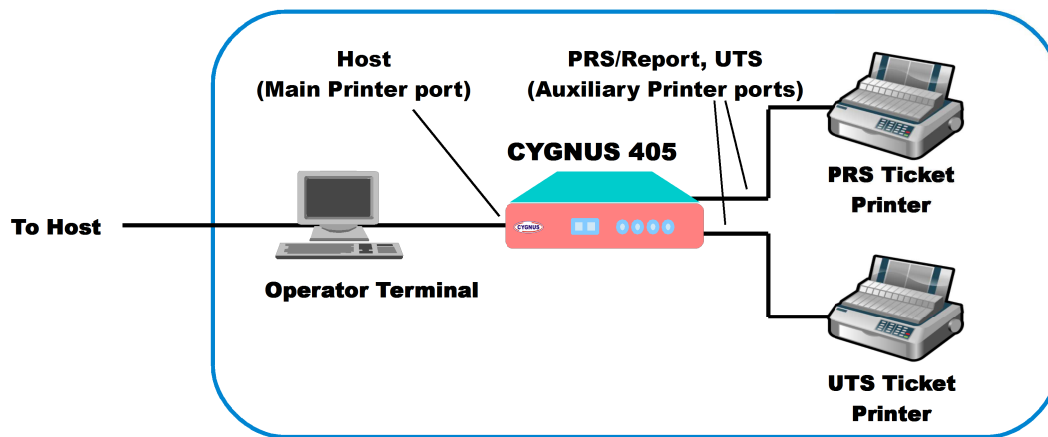
CYGNUS 405

Automatic Printer Switch

FEATURES

- Designed to facilitate setting up of PRS-UTS Universal Counters in Railways' ticketing system.
- Automatically routes data from the terminal's printer port to the PRS or UTS ticket printer under software control.
- No changes required to existing PRS application. The UTS application can incorporate software for controlling the APS.
- "Manual bypass" mode allows traffic to be permanently routed to either of the two printers.
- "Idle time out", "default port" and "filtering" features simplify migration from a single application system to an integrated PRS-UTS system.
- Rugged and compact design. Front panel status indicators

APPLICATION



Usage of the CYGNUS 405 Automatic Printer Switch

SPECIFICATIONS

Main Printer Port:

No. of main printer ports One (designated as Host)
 Compatibility Centronics, unidirectional
 Connector 36 pin Centronics socket with standard printer pin out

Auxiliary Printer Ports:

No. of Auxiliary printer ports Two (designated as PRS/Report and UTS)
 Compatibility Centronics, unidirectional
 Connector 25 pin D-sub (female) - PC parallel port pin out

Indicators:

General PWR, AUTO
 For Auxiliary ports PRS, UTS, PRS RDY, UTS RDY

Mode selection switch: To select one of the following operational modes:
 AUTO, FORCED TO PRS, FORCED TO UTS

General:

Power supply 230 VAC +/- 10%, 50 Hz Single phase
 Operating environment 0 - 50 deg, up to 85% RH (non condensing)

Standard Accessories:

1 No. 25-pin D-sub (male) to Centronics plug printer cable
 Operating Instructions Manual
 Power cable - To be fixed on the back panel of the unit and should not be removable (Power ON switch not required)

*Note: Specifications are subject to change without notice
 Ref.: 221122*



CYGNUS MICROSYSTEMS (P) LIMITED

93, Phase II, IDA, Cherlapally, Hyderabad 500051, India
 Tel: +91 (40) 2726 1327

URL: www.cygnusmicro.com e-mail: mktg@cygnusmicro.com

ISO 9001 : 2015
 Registered