

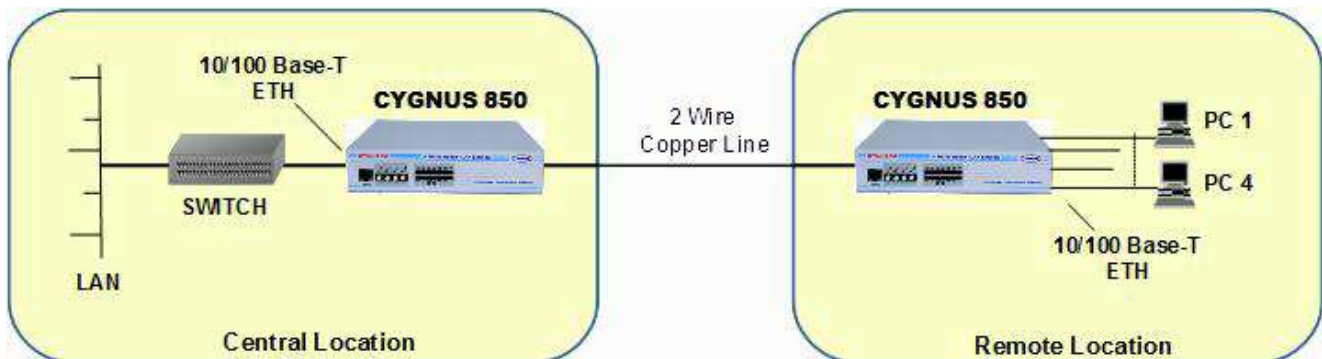


# CYGNUS 850

## 2 Mbps G.SHDSL LAN Extender

### FEATURES

- Extends ethernet LANs up to 10.5 km on standard 0.5 mm diameter telephone wiring
- Operates in pairs across 2-wire unloaded copper circuit
- Avoids need for additional equipment at small sites -
  - built-in 4-port autosensing 10/100 Base-T ethernet switch
  - built-in transparent bridging functionality
  - support for VLANs (ordering time option)
- Speed can be selected between 192 kbps and 2304 kbps to get rate-range benefit
- Offers trade off between speed and driving range - driving range varies from 5.5 km at 2304 kbps to 10.5 km at 192 kbps
- Can be field configured to automatically adjust line speed based on line quality and line length
- Facility for testing line quality using PRBS pattern generation and checking
- Easily configurable using DIP switches provided on the unit. Also manageable:
  - via a terminal connected to dedicated RS 232 Console Port
  - via SNMP from central NMS (Network Management Station)
  - via TELNET/HTTP compatible web browser interface
- Option of AC, DC or AC & DC power supply



### SPECIFICATIONS

#### G.SHDSL INTERFACE

Line type: G.SHDSL on 2-wire unloaded copper circuit with TC-PAM encoding as per ITU-T G.991.2

Speed: 192 kbps to 2304 kbps

Line Impedance: 135 ohms

Connector: RJ-45 socket and 2-way terminal block

Protection: As per ITU-T K.20, K.21

#### ETHERNET INTERFACES

No. of interfaces: 4 port inbuilt ethernet switch

Compatibility: IEEE 802.3 10/100 Base-T half or full-duplex autosensing interface

Connector: RJ-45 socket for UTP cables

Functionality: Transparent, auto learning ethernet bridge

#### CONSOLE PORT

Interface: ITU-T V.24/RS232

Connector: RJ45 socket

#### DIAGNOSTIC SWITCHES

Test pattern generation and checking; remote loopback, Digital loopback

#### SUPPORT FOR CENTRALISED NETWORK MANAGEMENT

Interface: 10/100 Base-T ethernet on RJ-45 socket

Software functionality:
 

- SNMP Traps for important events
- Telnet access for configuration and monitoring
- HTTP compatible web based configuration

#### INDICATORS

Unit Power status, Alarm condition, Test status, Default parameter status, LT

status, Pattern Error, Serial Management status  
DSL link status, Error status, LAN Link Status, Speed status, Receive, Transmit

#### CLOCKING MODES

DSL Slaved: Uses clock recovered from the DSL line signal for sending and receiving data on the DSL link and the DTE interface.

Internal: Uses an internal crystal controlled clock for sending and receiving data on the DSL link and the DTE interface.

#### GENERAL

Power input: Ordering time option: 230 VAC, -48 VDC or both

Size: 222 mm (w) x 260 mm (d) x 51 mm (h)

Op. Environment: 0-50°C. Up to 95% RH (non condensing)

#### ORDERING INFORMATION

Order code: CYGNUS 850LAN/ X

X: Specify "AC" for 230 VAC supply; "DC" for -48 VDC supply; "AC & DC" for both AC and DC supplies

Note: Specifications are subject to change without notice

Ref.: 221122



## CYGNUS MICROSYSTEMS (P) LIMITED

93, IDA Phase II, Cherlapally, Hyderabad 500 051, India

Tel: +91 (40) 2726 1327

URL: [www.cygnusmicro.com](http://www.cygnusmicro.com) e-mail: [mktg@cygnusmicro.com](mailto:mktg@cygnusmicro.com)

ISO 9001:2015  
Registered