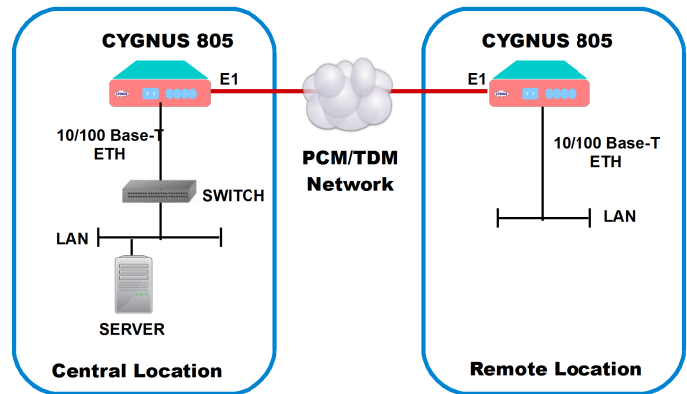




FEATURES

- Operates in pairs to allow 10/100 Base-T Ethernet networks to be bridged over E1 links
- Option for built-in 2 or 4-port Ethernet switch
- Console port for configuring and monitoring the unit with menu driven supervisory software
- Ordering option for LCD-keypad for configuring and monitoring
- Ordering option for 230 VAC, -48 VDC or -24VDC power supply input
- 120 ohm balanced and 75 ohm unbalanced (ordering option) E1 interface provided
- Built-in pattern generator and checker for qualitative and quantitative error performance monitoring of the E1 interface
- Loopback facilities for fault isolation
- Ordering option for audible alarm to indicate E1 link failure
- Front panel indicators for displaying unit status



CYGNUS 805 used to bridge two LANs across a PCM/TDM network

SPECIFICATIONS

E1 PORT

Type	4-wire interface
Conformance:	ITU-T Rec. G.703, G.704
Speed:	2048 kbps
Termination:	Balanced 120 ohms on RJ45 connector Ordering option: unbalanced 75 ohms on BNC connector
Encoding:	HDB3
Jitter:	Complies with ITU-T G.823
Frame formats:	- Unframed - Framed: Selectable from PCM 31 - FAS only; PCM 31C - FAS and CRC-4; PCM 30 - FAS and CAS; PCM 30C - FAS, CAS and CRC-4
Protection:	GD tube in shunt, current limiting devices in series

ETHERNET PORT (10/100 Base-T LAN PORT)

No. of ports:	2, ordering time option for 4
Interface compatibility:	10/100 Base-T
Connector:	RJ45 socket

CONSOLE PORT

Interface compatibility:	ITU-T V.24/RS232
Format:	Asynchronous, 8 data bits, 1 stop bit no parity
Speed:	Selectable from 4.8, 9.6, 19.2 or 38.4 kbps
Connector:	9 pin 'D' female connector

CLOCKING OPTIONS

Recovered clock:	Clock is derived from E1 port receive signal to both send and receive data on it
Internal clock:	Clock is derived from internal crystal oscillator to send and receive data on E1 port

DIAGNOSTICS

Digital loopback (DL), Pattern Generation(PAT) and Checking on E1 port

INDICATORS

Front panel: Power, Test/Default, E1 link, E1 Error, Pattern error, Clocking mode, LAN Transmit, LAN Receive, Alarm, Buzzer disable

Back panel: For each ethernet port: 10/100 Mbps Link T/R & Speed

AUDIBLE ALARM (ORDERING TIME OPTION)

- Resettable audible alarm which sounds on failure of E1 or fiber link

LCD-KEYPAD (ORDERING TIME OPTION)

LCD:	16 characters x 2 lines, with backlight
Keypad:	Four keys (Next, Back, Select and Exit)
Function:	Parameter selection for framed/unframed mode

GENERAL

Power: Option for 230 VAC, -48 VDC, -24VDC or both 230VAC & -48VDC
Operating Environment: 0-50°C. Up to 95% RH (non condensing)

ORDERING INFORMATION

Order Code: CYGNUS 805 V/W/X/Y/Z

V: Specify "E1-75" if both 75 and 120 ohm E1 interfaces are required; leave blank if only 120 ohm interface is required

W: Specify "ETH4" if 4 port Ethernet bridge; leave blank for 2 ports

X: Specify "LCD" if LCD-keypad is required

Y: Specify "AC" for 230 VAC supply input, "DC48" for -48 VDC supply input, "DC24" for -24 VDC supply input, "AC&DC" for both 230VAC & -48VDC supply

Z: Specify "BZR" if provision for audible alarm is required; else leave blank

*Note: Specifications are subject to change without notice
Ref.: 221122*

