



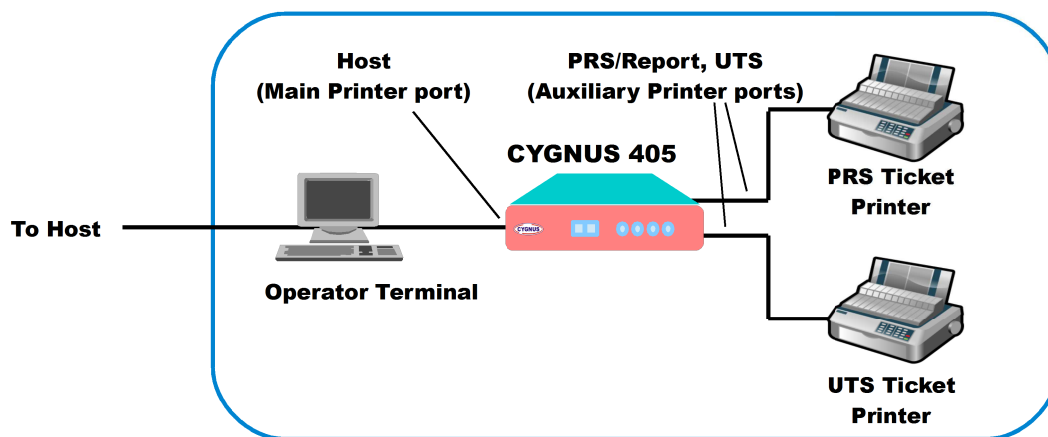
# CYGNUS 405

## Automatic Printer Switch

### FEATURES

- Designed to facilitate setting up of PRS-UTS Universal Counters in Railways' ticketing system.
- Automatically routes data from the terminal's printer port to the PRS or UTS ticket printer under software control.
- No changes required to existing PRS application. The UTS application can incorporate software for controlling the APS.
- "Manual bypass" mode allows traffic to be permanently routed to either of the two printers.
- "Idle time out", "default port" and "filtering" features simplify migration from a single application system to an integrated PRS-UTS system.
- Rugged and compact design. Front panel status indicators

### APPLICATION



Usage of the CYGNUS 405 Automatic Printer Switch

### SPECIFICATIONS

#### Main Printer Port:

No. of main printer ports One (designated as Host)  
 Compatibility Centronics, unidirectional  
 Connector 36 pin Centronics socket with standard printer pin out

#### Auxiliary Printer Ports:

No. of Auxiliary printer ports Two (designated as PRS/Report and UTS)  
 Compatibility Centronics, unidirectional  
 Connector 25 pin D-sub (female) - PC parallel port pin out

#### Indicators:

General PWR, AUTO  
 For Auxiliary ports PRS, UTS, PRS RDY, UTS RDY

**Mode selection switch:** To select one of the following operational modes:  
 AUTO, FORCED TO PRS, FORCED TO UTS

#### General:

Power supply 230 VAC +/- 10%, 47-53 Hz Single phase  
 Operating environment 0 - 50 deg, up to 85% RH (non condensing)

#### Standard Accessories:

1 No. 25-pin D-sub (male) to Centronics plug printer cable  
 Operating Instructions Manual  
 Power cable - To be fixed on the back panel of the unit and should not be removable (Power ON switch not required)

*Note: Specifications are subject to change without notice  
 Ref.: 220928*



### CYGNUS MICROSYSTEMS (P) LIMITED

93, Phase II, IDA, Cherlapally, Hyderabad 500051, India  
 Tel: +91 (40) 2726 1327

URL: [www.cygnusmicro.com](http://www.cygnusmicro.com) e-mail: [mktg@cygnusmicro.com](mailto:mktg@cygnusmicro.com)

ISO 9001 : 2015  
 Registered